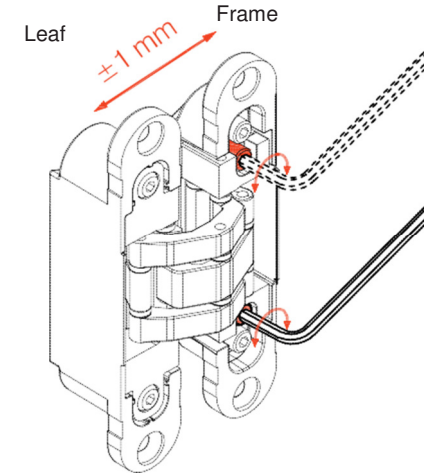
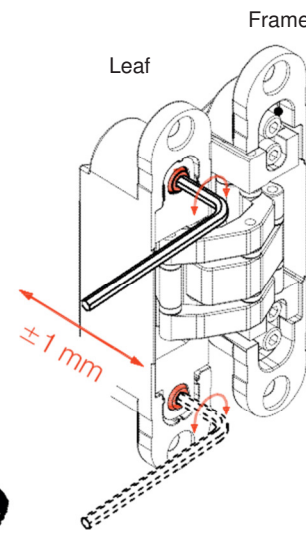
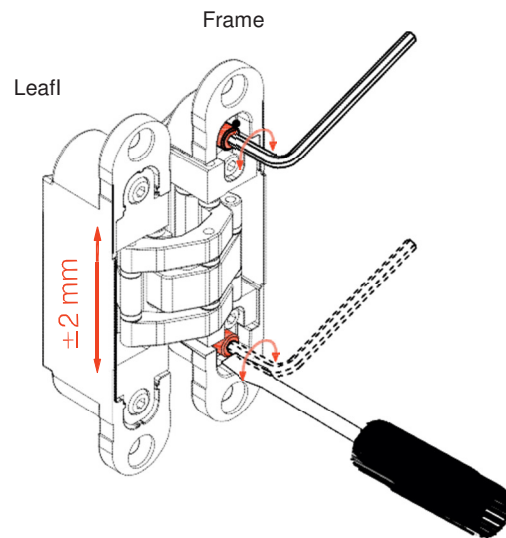
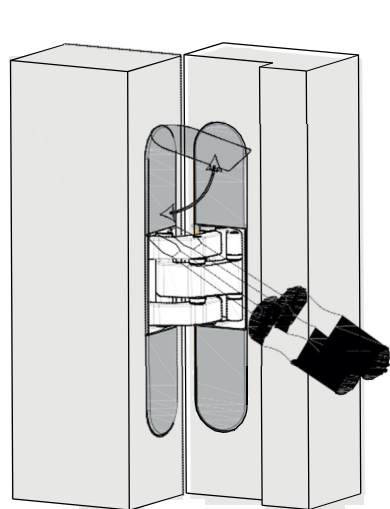
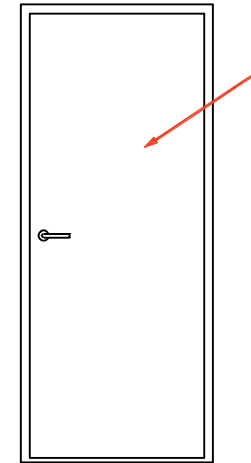
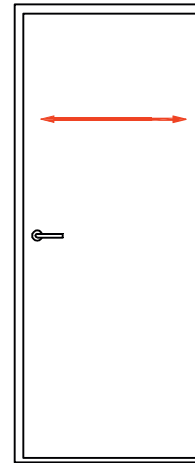
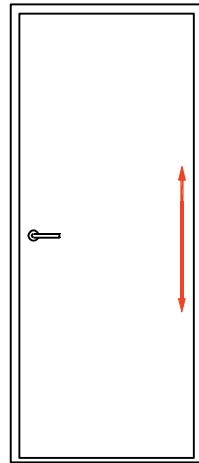


## Adjustments

### OTLAV IN230120

Concealed hinges for unrebated doors



1. Remove the caps.  
**Attention:** Caps have to be removed with care, it is possible to make the operation easier by inserting a flat screwdriver underneath the external side of the cap-base and gently prizing on the hinge.

2. Height adjustment.  
Loosen slightly the two screws shown on the frame part using a 3 mm hexagonal wrench. Lift the door to the proper position.  
The operation can be made easier by inserting the point of a flat screwdriver in the housing of the hinge; fasten all the screws (5-6 Nm) starting from the hinge where the screwdriver has in case been used.

3. Side adjustment.  
The side adjustment is performed on the part of the hinge fixed on the door-leaf with a 3 mm hexagonal wrench by acting alternately on the two screws indicated.

4. Depth adjustment (pressure on the gasket).  
Loosen slightly the two screws indicated on the part of the hinge fixed on the frame using a 3 mm hexagonal wrench, adjust the door-leaf in the requested position, then fasten the screws (5-6 Nm)