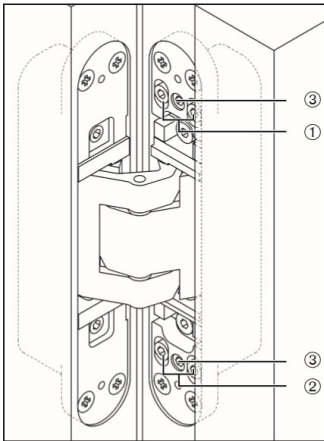


TECTUS TE 340 3D

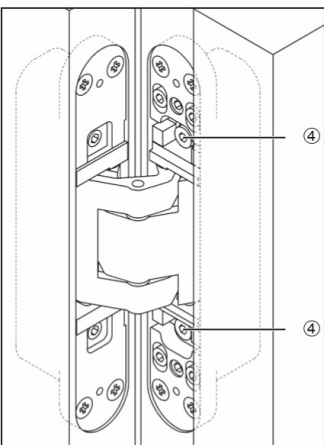
Concealed hinge system for unrebated doors

Infinitely variable 3D adjustment (4 mm Allen key)



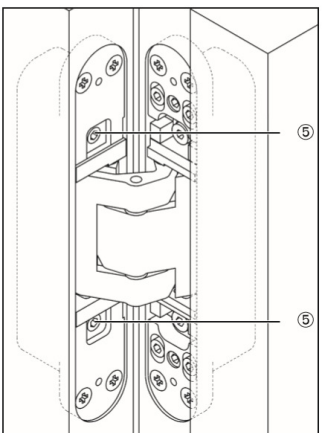
Height adjustment ± 3 mm

- Slightly loosen the clamping screws ①+②
- Adjust the vertical position of the door by turning the lower height adjustment screw ③ (turn the upper height adjustment screw in the opposite direction)
- Retighten the clamping screws ①
- Relieve the lower height adjustment screw ③
- Retighten the clamping screws ②



Depth adjustment ± 1 mm

- Slightly loosen the fixing screws ④
- Put the door to the correct compression
- Retighten the clamping screws ④



Side adjustment ± 3 mm

- Adjust the adjusting spindles ⑤ using a 4 mm Allen key
- Twist right - towards hinge (max. 3 mm)
- Twist left - towards lock (max. 3 mm door part must not stand out of the hinge body)